



## Portier

Design air curtain for entrances

- Recommended installation height 2,5 m\*
  - Horizontal mounting
  - Lengths: 1 and 1,5 m
- ✿ Ambient, no heat  
 ⚡ Electrical heat: 3-13,5 kW

### Application

Portier is an exclusive air curtain in brushed stainless steel intended for entrance doors in e.g. shops, banks, hotels and restaurants. The elegant design of the air curtain makes it particularly suitable for environments where demands are made on a high standard of design.

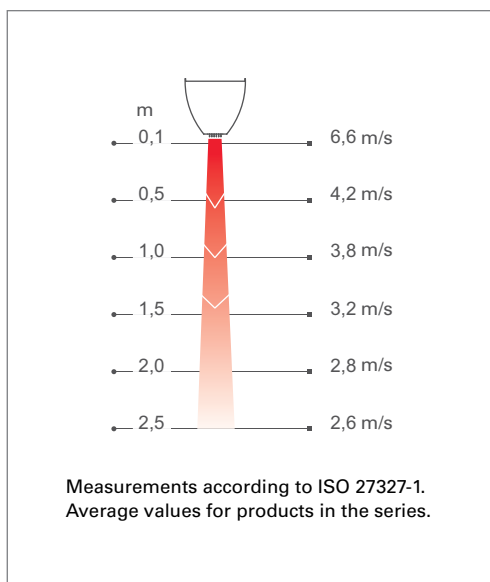
### Design

Portier has a unique symmetrical design in brushed stainless steel with black grille and ends.



Optimized airflow with Thermozone technology.

### Air velocity profile



### Product specifications

- Low sound level.
- Adjustable outlet grille makes it possible to direct the air for optimum air curtain effect.
- Simple suspension using fixing nuts on the upper side for installation with wall brackets, suspension kit or wire/threaded rod.

\*) Recommended installation height varies depending on the relevant premises.

## Technical specifications

### 🌀 Ambient, no heat - Portier A

Typ	Output [kW]	Airflow [m³/h]	Sound level[dB(A)]*1	Voltage [V]	Amperage [A]	Length [mm]	Weight [kg]
PS210A	0	1000/1300	44/54	230V~	0,45	1020	14
PS215A	0	1300/2000	46/56	230V~	0,55	1530	20

### ⚡ Electrical heat - Portier E

Typ	Output steps [kW]	Airflow [m³/h]	Δt*2 [°C]	Sound level [dB(A)]*1	Voltage [V]	Amperage [A]	Length [mm]	Weight [kg]
PS210E03	1,5/3	950/1200	10/8	44/50	230V~/400V3N~*3	13,4/4,8	1020	17
PS210E06	3/6	950/1200	19/15	44/50	400V3N~*3	9,2	1020	17
PS210E09	4,5/9	950/1200	28/23	44/50	400V3N~*3	13,5	1020	17
PS215E09	4,5/9	1200/1900	23/14	39/50	400V3N~*3	13,5	1530	24
PS215E14	6,7/13,5	1200/1900	34/21	39/50	400V3~ + 230V~	20,0	1530	24

\*1) Conditions: Distance to the unit 5 metres. Directional factor: 2. Equivalent absorption area: 200 m².

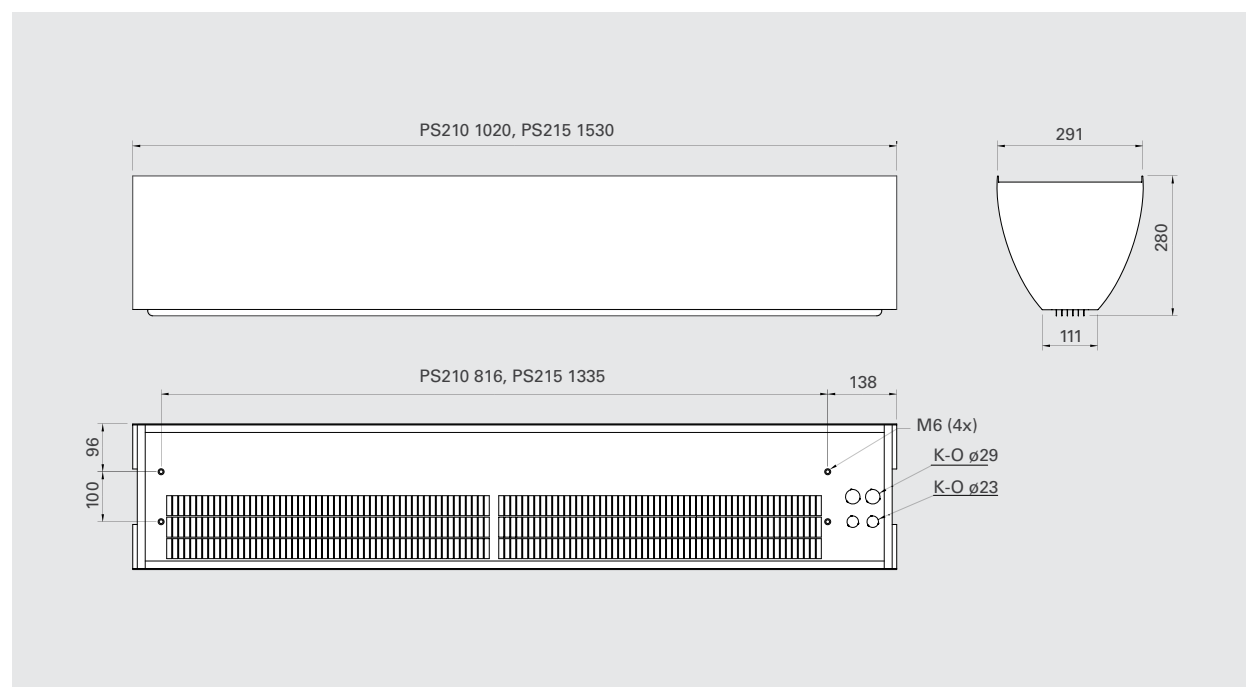
\*2) Δt = temperature rise of passing air at maximum heat output and lowest/highest airflow.

\*3) Alternative 400V3~ + 230V~ (operating supply) if the current is greater than 16 A. Applies when connecting several units.

Protection class: IP21.

CE compliant.

## Dimensions



# Portier

## Mounting and connection

### Mounting

The air curtain is installed horizontally with the supply air grille facing downwards as close to the door as possible.

Numerous installation options are available: wall mounting with the wall mounting kit or ceiling mounting with pendulum mounting kit and suspension bracket. The air curtain can be suspended from wires or threaded rods.

Minimum distance from outlet to floor for electrically heated units is 1800 mm.

For the protection of wider openings, several units can be mounted next to each other using a joining kit.

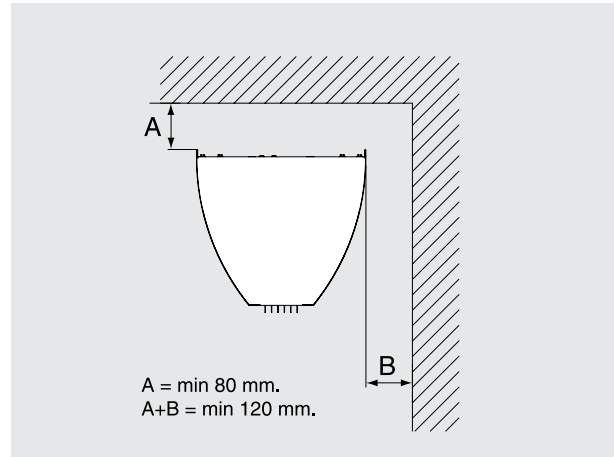
### Connection

#### *Unit without heating*

The electrical connection is made on the top of the unit. Control (230V~) should be connected to a terminal block in the terminal box. See wiring diagrams.

#### *Unit with electrical heating*

The electrical connection is made on the top of the unit. Control (230V~) and power supply for heat (400V3~) should be connected to a terminal block in the terminal box. For units with electrical heating, power and control should be supplied separately. See wiring diagrams.

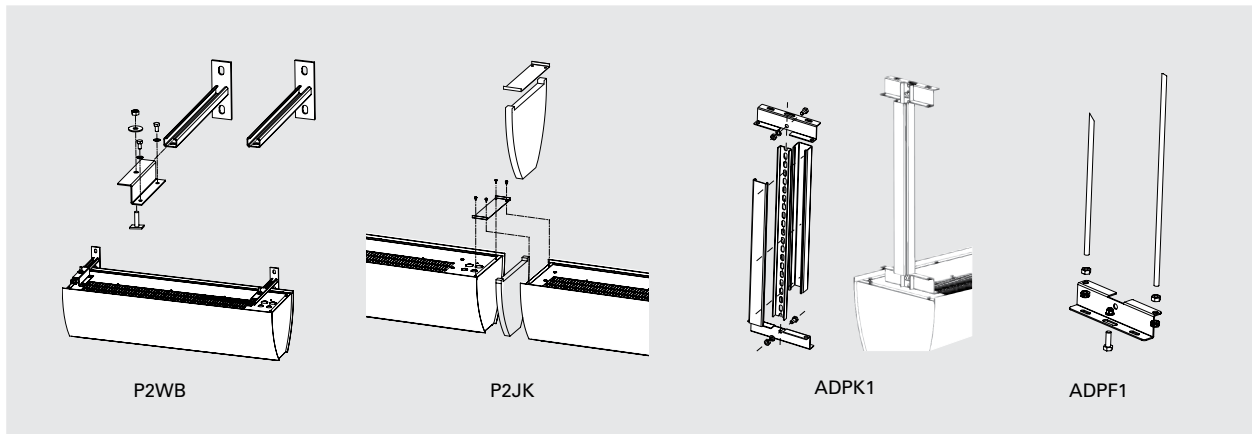


Minimum distances



Two units can be installed together with a joining kit to form a continuous air curtain above a wide doorway.

Accessories



**P2WB**, wall mounting kit  
 Used for installing unit horizontally on a wall. Consists of wall brackets and mounting parts.

**P2JK**, joining kit  
 Used to join horizontal units together for a sleek and unified installation. Consists of joint bracket and mounting parts.

**ADPK1**, suspension kit  
 The hanging brackets are covered by a white plastic trim to cover the cables. The brackets may be cut to shorter length, if required.

**ADPF1**, suspension brackets  
 Ceiling brackets for installing the unit from the ceiling using wires or threaded bars (not included). Consists of 4 brackets, 2 for the unit and 2 for the ceiling.

Type	Description	Quantity included
<b>P2WB</b>	Wall mounting kit	2 pcs
<b>P2JK</b>	Joining kit	1 psc
<b>ADPK1</b>	Suspension kit	2 pcs
<b>ADPF1</b>	Suspension brackets	4 pcs

# Portier

## Control options

### ✿ Unit without heating

#### Level 1

Airflow is set manually.

#### Control kit:

- CB20, control box, 2 fan steps.

#### Level 2

Airflow is set manually. The door contact regulates the airflow on/off.

#### Control kit:

- CB20, control box, 2 fan steps.
- MDC, magnetic door contact with a time relay.

### ⚡ Unit with electrical heating

#### Level 1

Airflow is set manually. The room thermostat controls the heat output in two steps.

#### Control kit:

- CB22, control box, 2 fan steps and 2 heating steps.
- RTI2, electronic 2-step thermostat

#### Level 2

Airflow and heat output are controlled automatically based on the opening of the door and the room temperature. When the door is open the fan runs at high speed, when the door closes the fan will continue to run at high speed for the desired time (2s–10 min.) set on MDC. When the door is closed the fan runs at low speed if there is a need for heating, if not the fan is switched off.

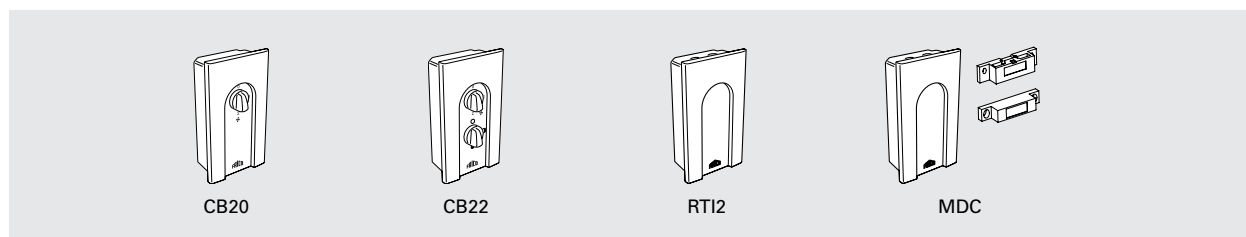
The room thermostat controls the heat output. E.g. the thermostat is set on 23 °C and the difference between the steps 4 °C. The thermostat will activate below 19 °C when the door is closed. When the door opens, the thermostat will activate below 23 °C and normally the heat is switched on.

#### Control kit:

- CB22, control box, 2 fan steps and 2 heating steps.
- MDC, magnetic door contact with a time relay.
- RTI2, electronic 2-step thermostat



## Controls



**CB20**, control box  
Controls the airflow in 2 steps. Can control several units. Max input 12 A. IP44.

**CB22**, control box  
Controls the airflow in 2 steps and heat output in 2 steps. Can control several units. Max input 10 A. IP44.

**RTI2**, electronic 2-step thermostat  
Processor controlled 2-step thermostat with concealed dial. Setting range +5 – +35 °C. Connection voltage 230 V (two potential free contacts). Max. breaking current: 16/10 A (230/400 V). IP44.

**MDC**, magnetic door contact with time relay  
Starts the air curtain or increases from low to high speed when the door is opened. When the door is closed, the fan continues to run for the preset time (2 s–10 min). This prevents the fan from starting/stopping continuously and is especially suitable for doors that are frequently opened. Three alternating volt-free contacts 10 A, 230 V~ activated when the contacts make. A MDCDC is included in MDC. IP44.

Typ	Description	HxWxD [mm]
<b>CB20</b>	Control box Portier A, IP44	155x87x43
<b>CB22</b>	Control box Portier E, IP44	155x87x43
<b>RTI2</b>	Electronic 2-step thermostat, IP44	155x87x43
<b>MDC</b>	MDC, magnetic door contact with time relay, IP44	155x87x43

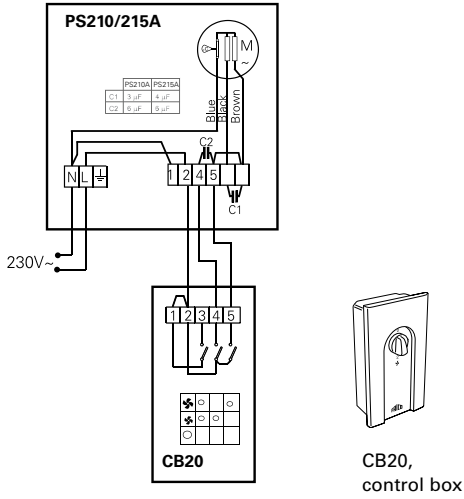
For further information and options, see the "Controls" section.

# Portier

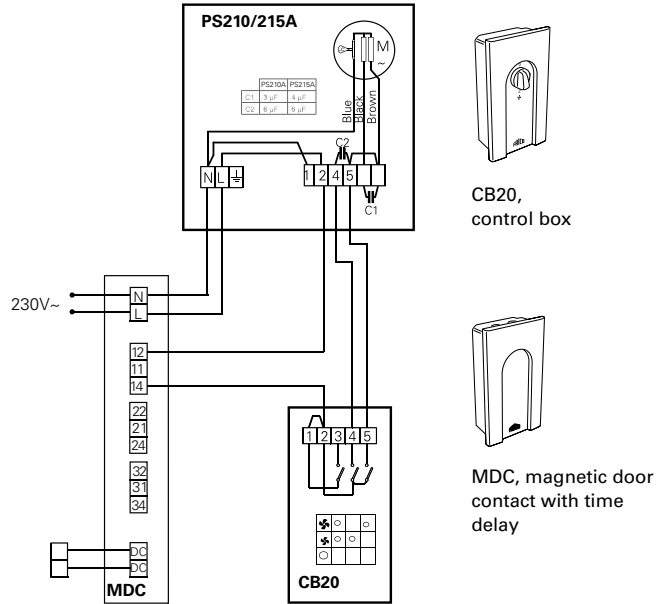
## Wiring diagrams

### Control options for units without heat

#### Level 1

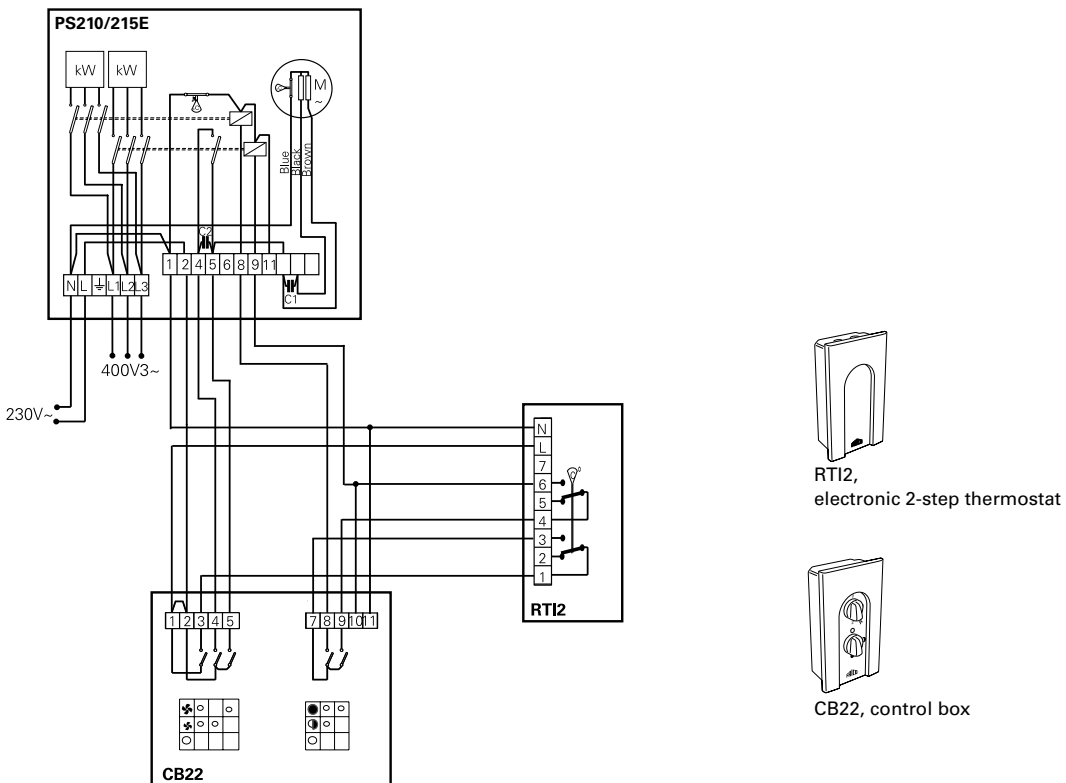


#### Level 2



### Control options for electrically heated units

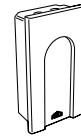
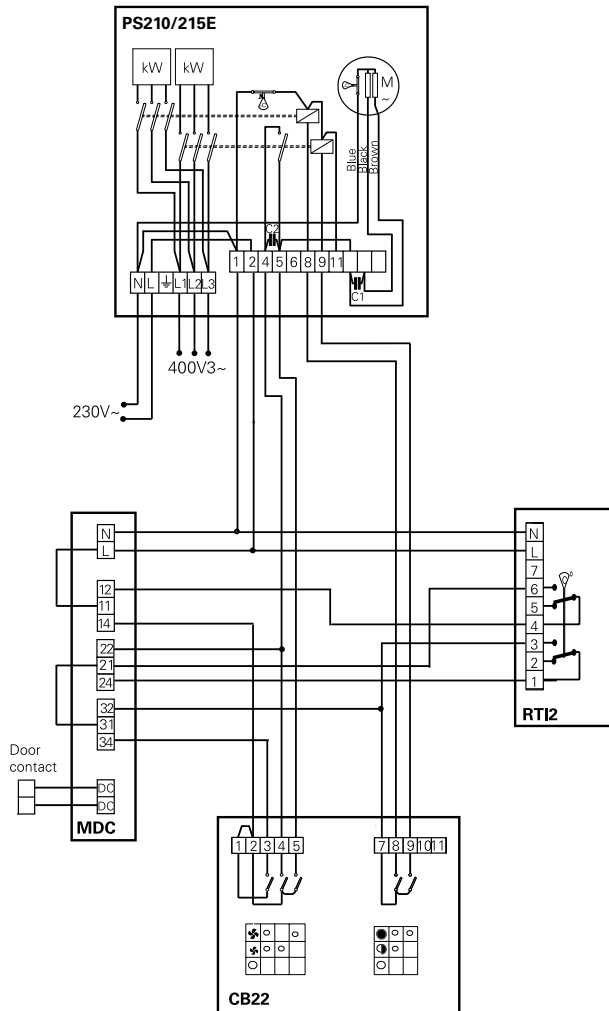
#### Level 1



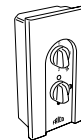
## Wiring diagrams

Control options for electrically heated units

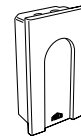
Level 2



RT12,  
electronic 2-step  
thermostat



CB22, control box



MDC, magnetic door  
contact with time  
delay